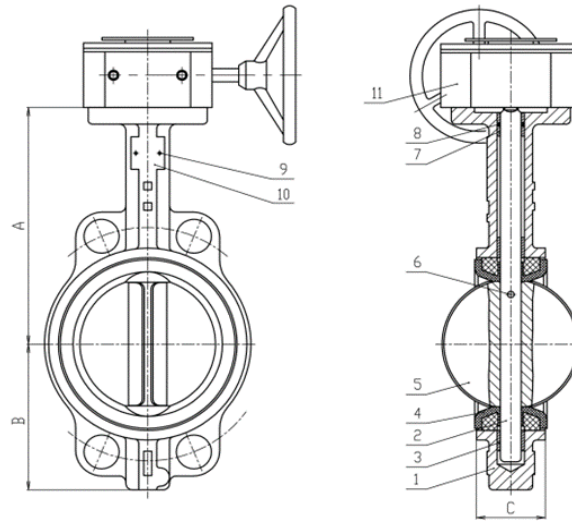


CAST IRON GEAR WAFER TYPE BUTTERFLY + LIMIT SWITCH, UNIVERSAL PN16

Model: CBV-G-UF-PN16/ APL-210N



Technical Data

Material

NO	NAME	MATERIAL
1	BODY	CAST IRON
2	SHAFT	SS420
3	BUSHING (LONG)	PTFE
4	SEAT	EPDM
5	DISC	CF8
6	TAPER PIN	SS316
7	BUSHING (SHORT)	PTFE
8	O RING	EPDM
9	PLATE RIVET	ALUMINIUM
10	PLATE	ALUMINIUM
11	GEAR BOX	

Specification Standards:

Design and Manufacture: BS 5155

Face to face Dimension: Manufacture Standard

Flange End: DIN, BS, JIS, ANSI

Features: Wafer type Gear Connections

Working Pressure: PN16

Test Pressure Shell: 24 Kgf/cm²

Seat: 17.6 Kgf/cm²

Working Temperature: Max 120°C

Applicable Medium: Water

DIMENSIONS

SIZE		A	B	C
IN	DN			
2"	DN50	156	80	42.04
2 1/2"	DN65	162	89	44.68
3"	DN80	170	95	45.21
4"	DN100	185	114	52.07
5"	DN125	207	127	54.36
6"	DN150	216	139	55.75
8"	DN200	256	175	60.58
10"	DN250	248	203	65.63
12"	DN300	280	242	76.9
14"	DN350	368	267	75

FEATURES

- Solid and compact design
- Aluminium die-casting housing and powder coating.
- Bolts on visual position indicator
- Quick-set™ cam
- Spring loaded spined cam.
- No need to adjust again after initial setting.
- Easy setting without tool
- Dual cable entries
- 2 x 1/2 NPT(Standard)
- M20,PG13.5,PF1/2",PT1/2" (Option)
- Captive cover bolts
- No worry to loose bolts while cover open.
- Easy mounting bracket
- NAMUR standard stainless steel shaft and bracket.



SPECIFICATION	STANDARD	OPTION	MATERIAL
Enclosure	Weatherproof IP67/IEC60529	IP 68	Aluminium die casting
Ambient temperature	-20°C ~ 80°C		Stainless steel
Conduit entries	Two NPT1/2"	Two PF1/2",PT1/2" M20,PG13.5	Polycarbonate
Terminal Strips	8 points (0.08-2.5mm ²)		ABS/Polycarbonate
Position indicator	0 ~ 90° (90° turn free join) closed: open,yellow open: green	0 ~ 90° closed:red open:green	Polycarbonate
Switches	Mechanical switch x2 proximity sensor x2		Stainless steel
External coating	Polyester powder coating (black)	Nylon ethers on red,green,blue, yellow,silver,	Stainless steel
Shaft	Standard shaft(83mm f16mm)	Option shaft(FREE)	Stainless steel

Position indicator



Re-adjustment available upon required direction

Shaft

90° Closed or Open for rotary application

90° Open or Closed for rotary application

45° Open or Closed for linear application



Captive cover bolts

cover bolts are specially designed to prevent loosening it during maintenance or installation.

Conduit entries

Cable entry due to length and thickness



SWITCH SPECIFICATION

Mechanical switch (2SPDT) APL-210N



Standard switch : SS5GL(Omron)

2SPDT switches (option: spst-nc, spst-no)
Contact arrangement: 250V AC/3A, 125V AC/5A
250VDC/0.2A, 125VDC/0.4A, 30VDC/4A,

Optional switch : SS10GL(Omron)

2SPDT switches (option: spst-nc, spst-no)
Contact arrangement: 250V AC/10.1A, 125V AC/10.1A
250VDC/0.2A, 125VDC/0.4A, 30VDC/4A,

Approved standards: UL, CSA, SEMKO, SEV EN61058-1

Proximity sensor APL-220N



Standard sensor : NJ2-V3-N (P&F)

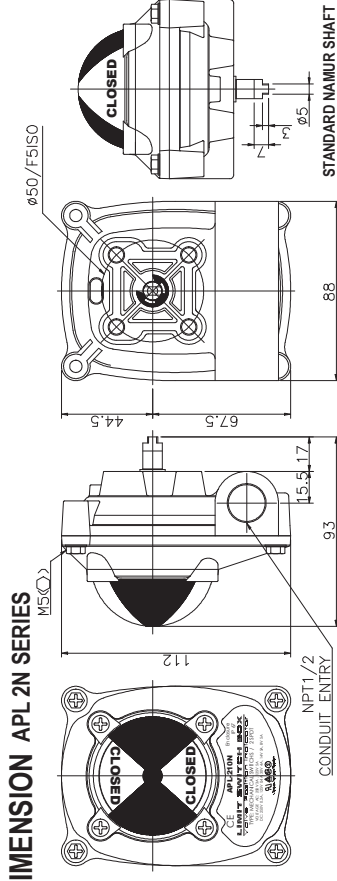
Inductive proximity sensor (intrinsically safe)
Voltage range: 8V DC (IP67 to IEC 60529)

Operating distance: 2mm

Optional sensor

EMC to EN60947-5-2
NBB2-V3-E2/E3(PNP): 10 - 30V DC Operating distance: 2mm
NBB2-V3-E0 (NPN): 10 - 30V DC Operating distance: 2mm
NBB3-V3-Z4/Z5 : 5 - 60V DC Operating distance: 3mm

DIMENSION APL 2N SERIES



BRACKET NAMUR STANDARD



Application

Stainless steel	30x80 h20
Stainless steel	30x80 h30
Stainless steel	30x130 h30
Stainless steel	30x130 h50

Model No

MBP-100
MBP-200
MBP-300
MBP-400